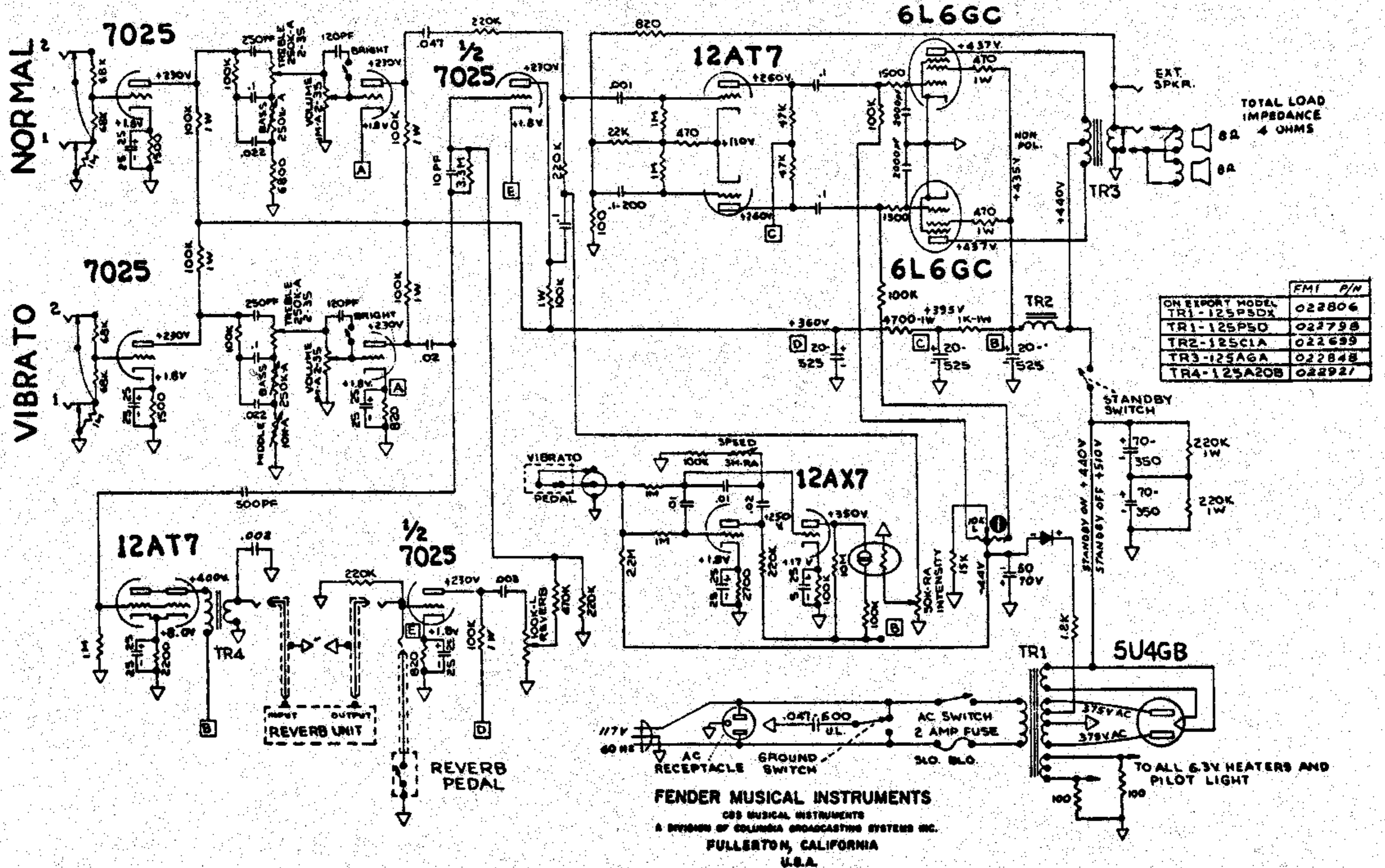


FENDER MODEL BANDMASTER REVERB-AMP AAI069" SCHEMATIC NOTICE

TFL5005D

THIS PRODUCT MANUFACTURED UNDER ONE OR MORE OF THE FOLLOWING US PATENTS: CIRCUIT PATENT #2617708, #2973681; DESIGN PATENT #192859; PATENTS PENDING.

- 1 - VOLTAGES READ TO GROUND WITH ELECTRONIC VOLTMETER.
- 2 - ALL RESISTORS 1/2 WATT 10% TOLERANCE IF NOT SPECIFIED.
- 3 - ALL CAPACITORS AT LEAST 400 VOLT RATING IF NOT SPECIFIED.
- 4 - ALL VOLTAGES READ WITH VIBRATO PEDAL GROUNDING AND NO INPUT SIGNAL.



ON REPORT MODEL	FMI P/N
TR1-125P50X	022806
TR1-125P50	022798
TR2-125C1A	022699
TR3-125A6A	022848
TR4-125A20B	022921

FENDER MUSICAL INSTRUMENTS
 CBS MUSICAL INSTRUMENTS
 A DIVISION OF COLUMBIA BROADCASTING SYSTEMS INC.
 FULLERTON, CALIFORNIA
 U.S.A.

DRAWN P.T. - 10-11-61
 APPROVED J. J. - 10-11-61
 Dwg. No. 109223
 Schematic & Wiring Diagram
 Bandmaster Reverb-Amp
 Tube Type TFL5005D

REV	DATE	DESCRIPTION	BY
B	11-15-61	INCORPORATED ECO R 1689 P-23-59	
A	1-4-69	INCORPORATED ECO R 1628 P-4-69	

AMPLIFIER TT

