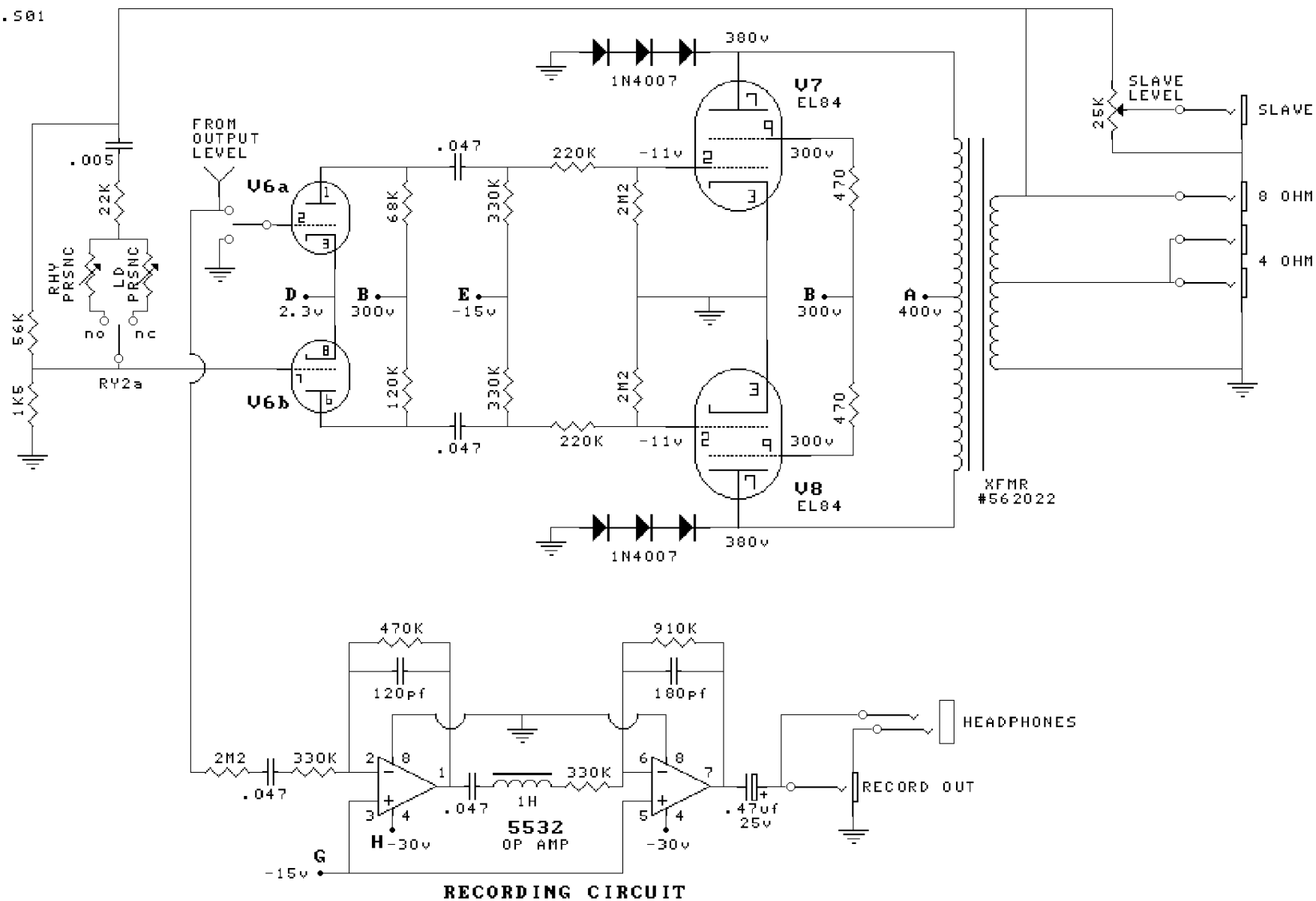




# MESA-BOOGIE DC2

POWER AMP  
RECORD OUT

FILE DC2PUR.S01

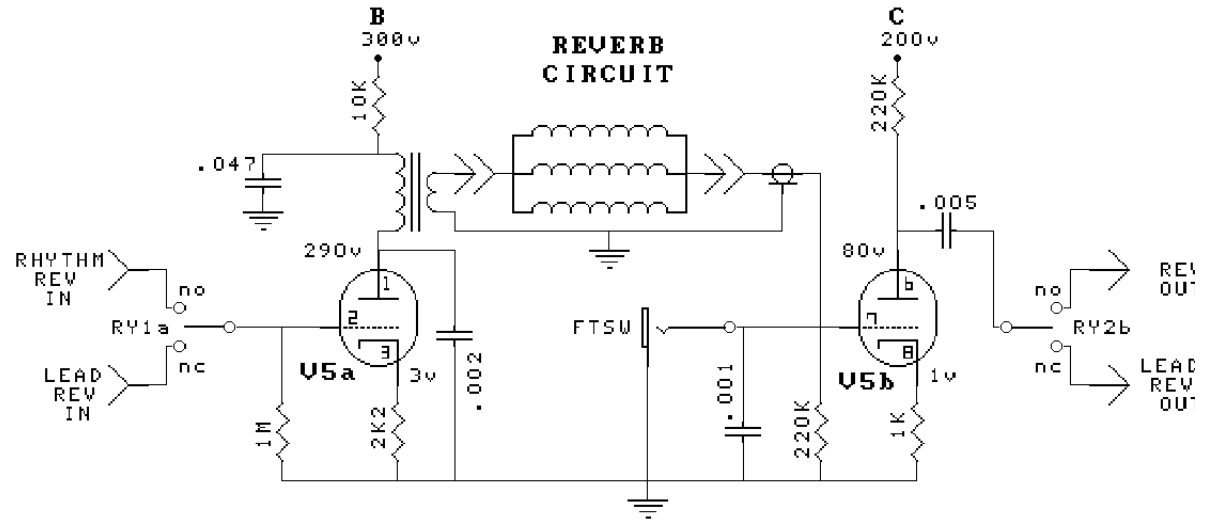
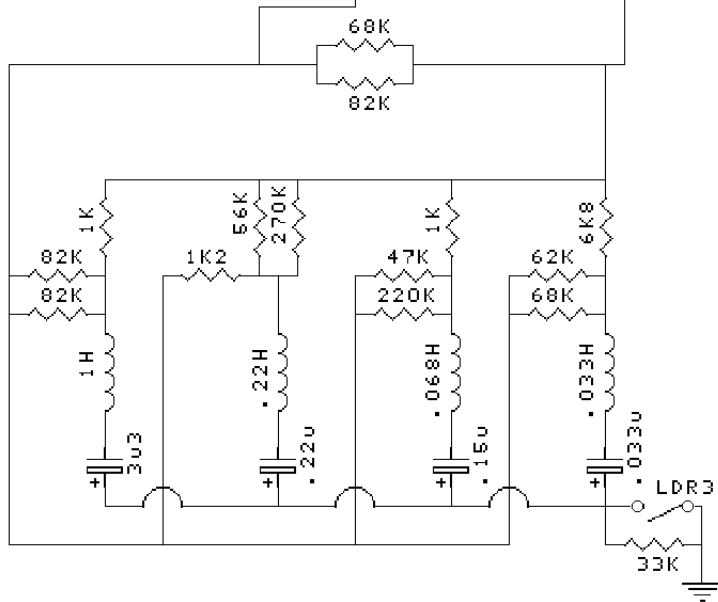
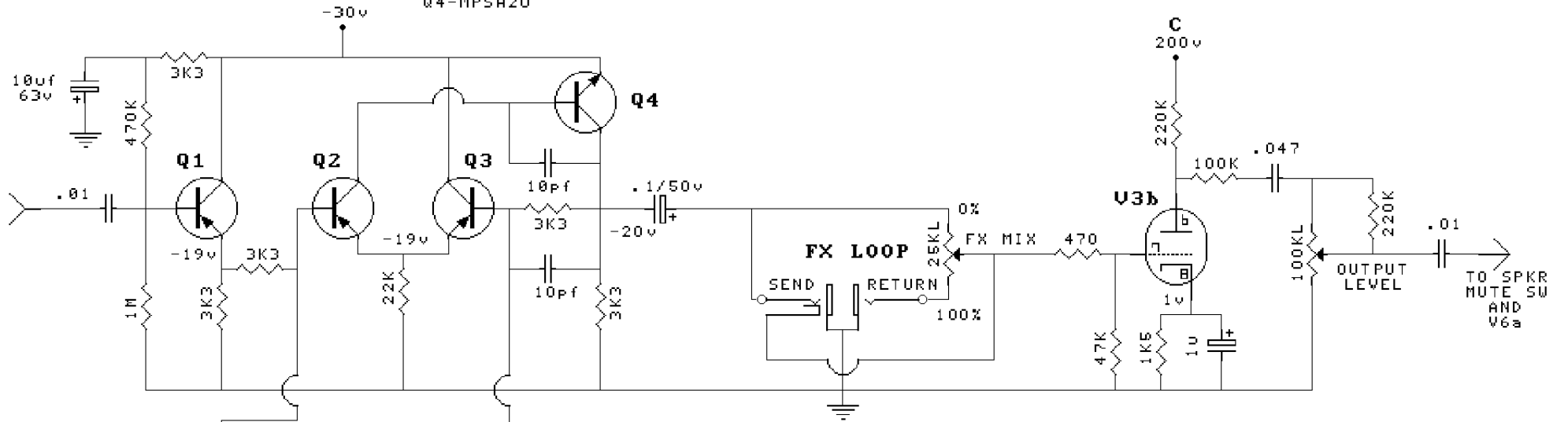


# MESA-BOOGIE DC2

## EQ FX LOOP

FILE DC2PRE2.S01

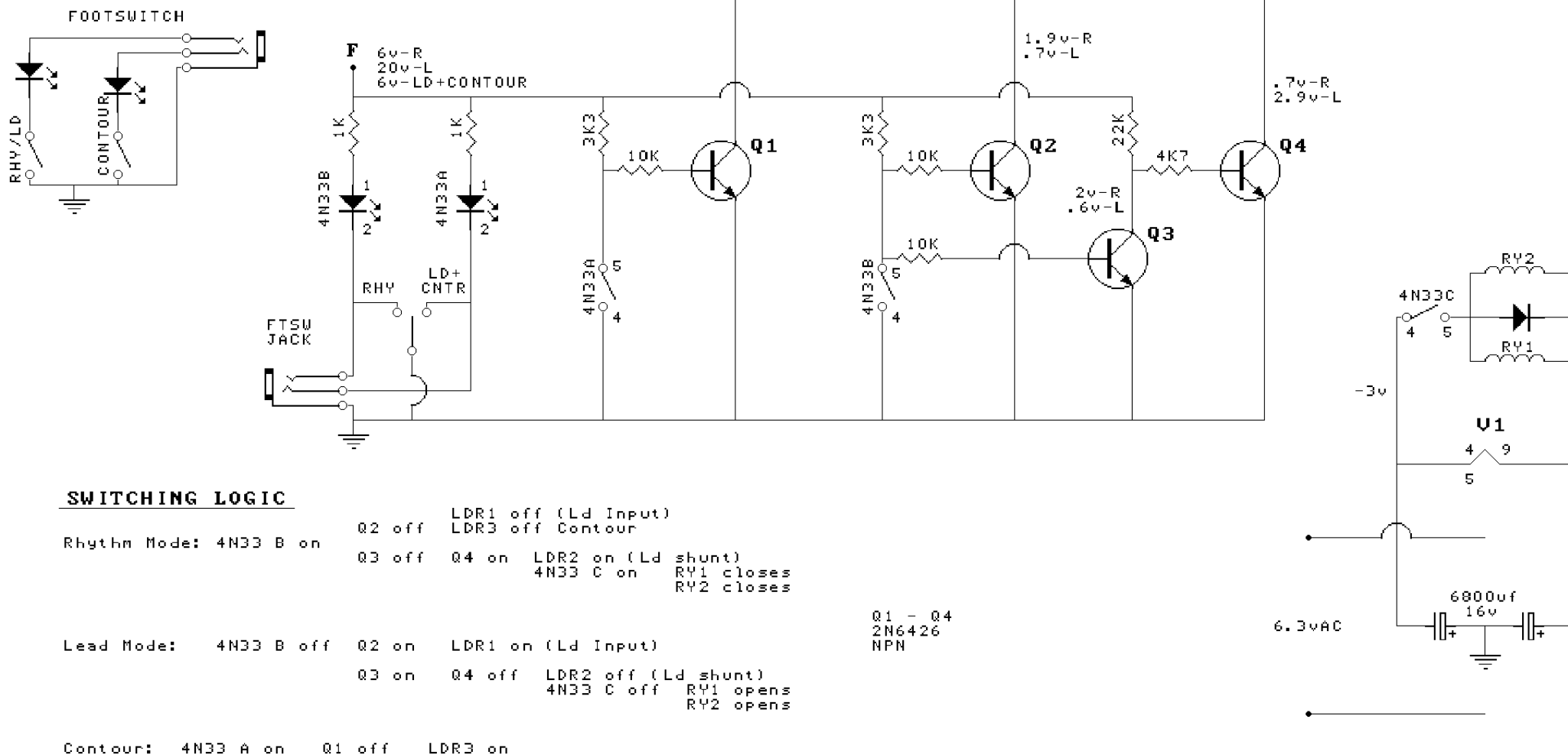
Q1-MPSA63  
Q2, Q2-MPSA70  
Q4-MPSA20



# MESA-BOOGIE DC2

## SWITCHING MATRIX

FILE DC2SU.S01



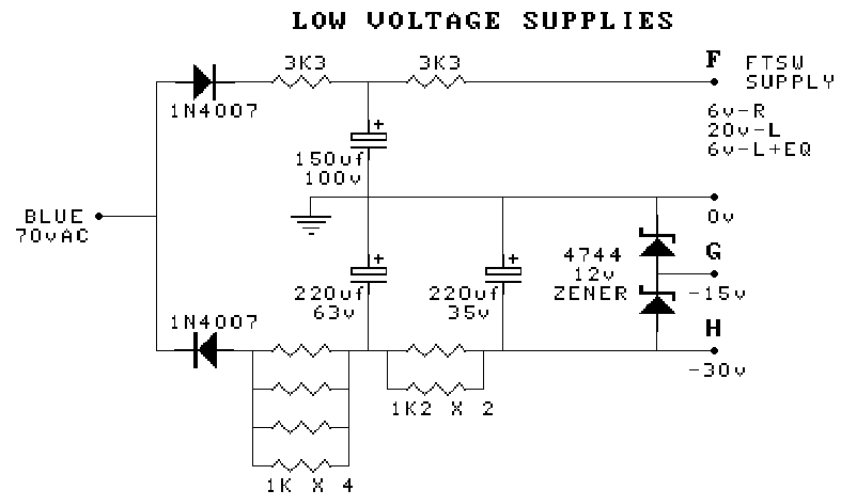
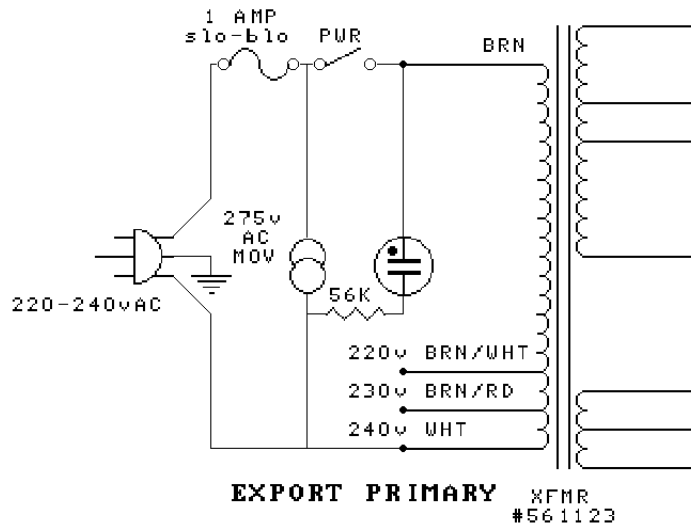
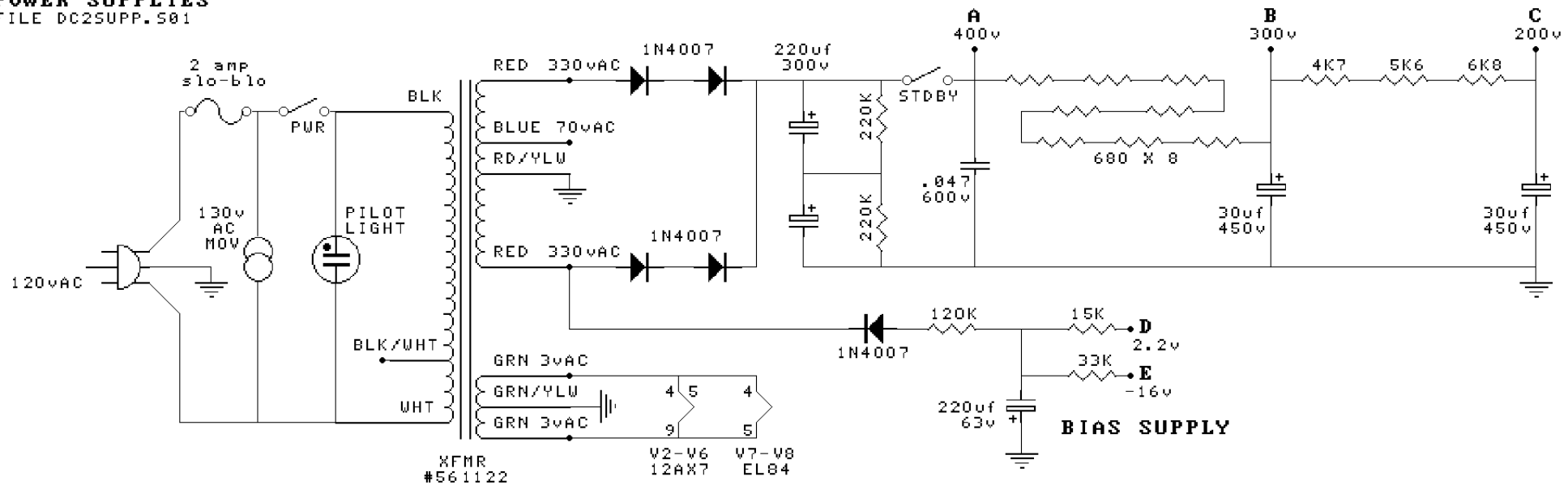
### SWITCHING LOGIC

Rhythm Mode:	4N33 B on	Q2 off	LDR1 off (Ld Input)
		Q3 off	LDR3 off Contour
		Q4 on	LDR2 on (Ld shunt)
		4N33 C on	RY1 closes
			RY2 closes
Lead Mode:	4N33 B off	Q2 on	LDR1 on (Ld Input)
		Q3 on	LDR2 off (Ld shunt)
		4N33 C off	RY1 opens
			RY2 opens
Contour:	4N33 A on	Q1 off	LDR3 on

Q1 - Q4  
2N6426  
NPN

# MESA-BOOGIE DC2

POWER SUPPLIES  
FILE DC2SUPP.S01



# MESA-BOOGIE DC2

BLOCK DIAGRAM  
FILE DC2BLOCK.S01

