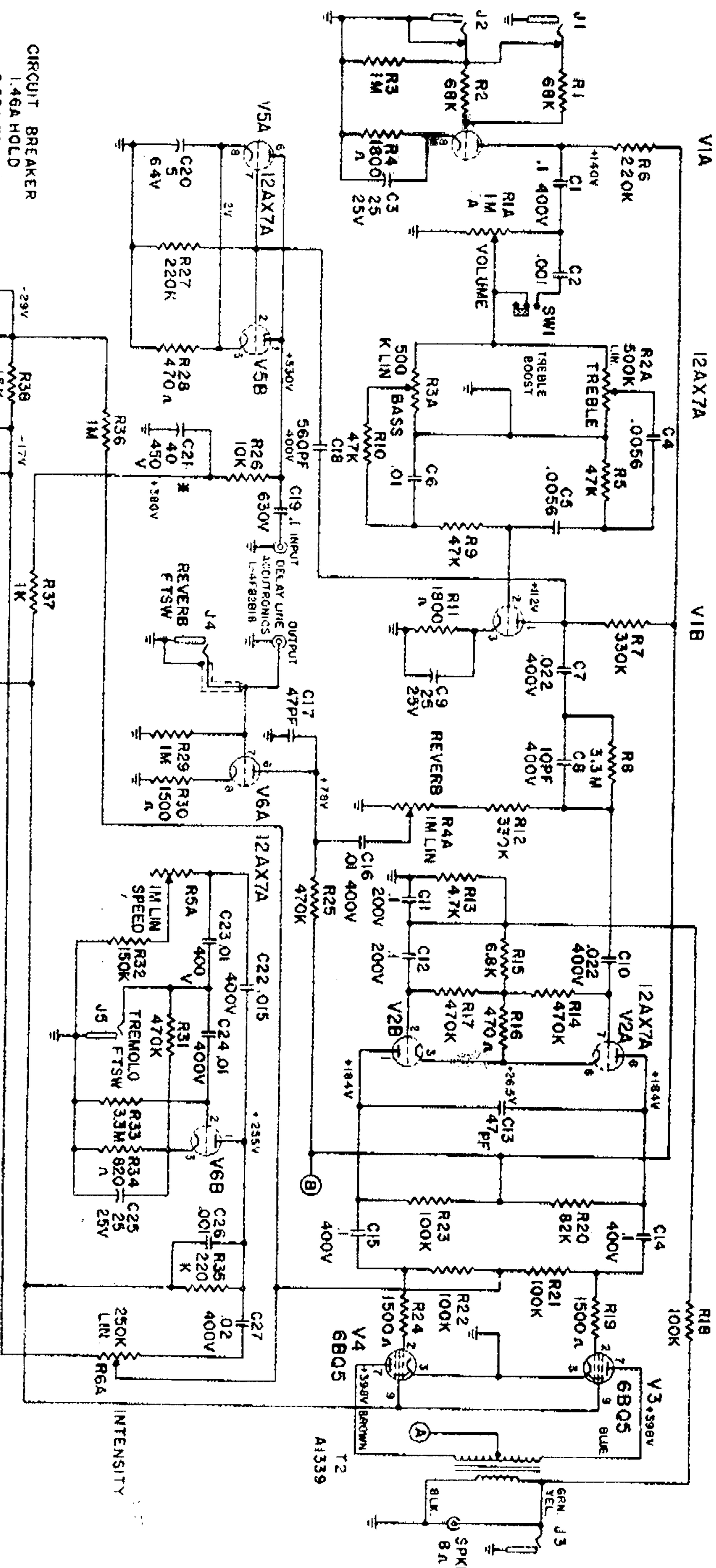


1. ALL CAPS IN MP UNLESS OTHERWISE NOTED.  
 2. ALL RESISTANCES IN OHMS. AT 1/2 W. UNLESS OTHERWISE NOTED.  
 3. ALL VOLTAGES MEASURED TO 120% WITH 15 MEG. INPUT VOLTMETER.  
 \* TWO 2 SECTION CAPACITORS  
 LAST RESISTOR R44  
 LAST CAPACITOR C33

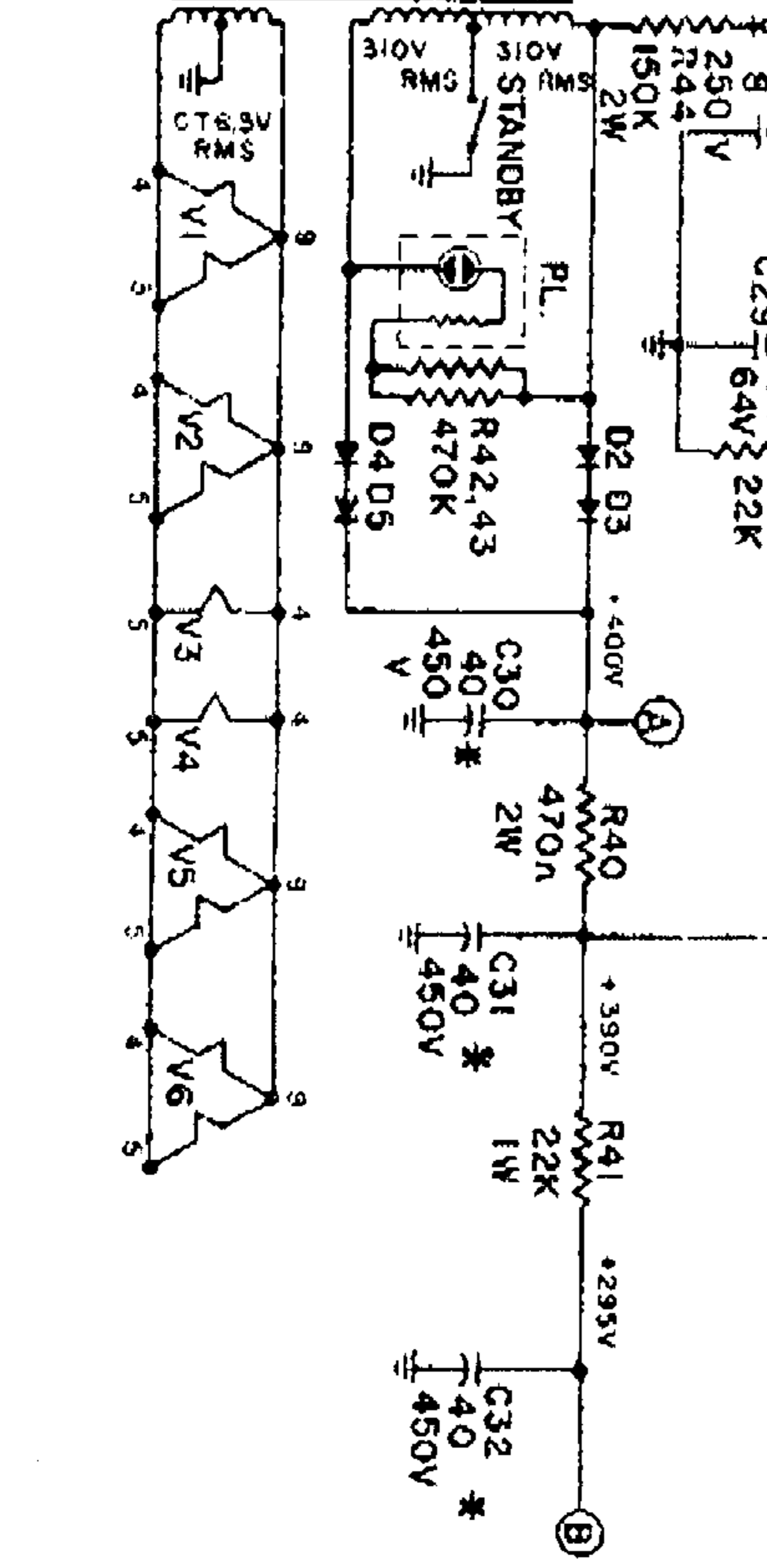
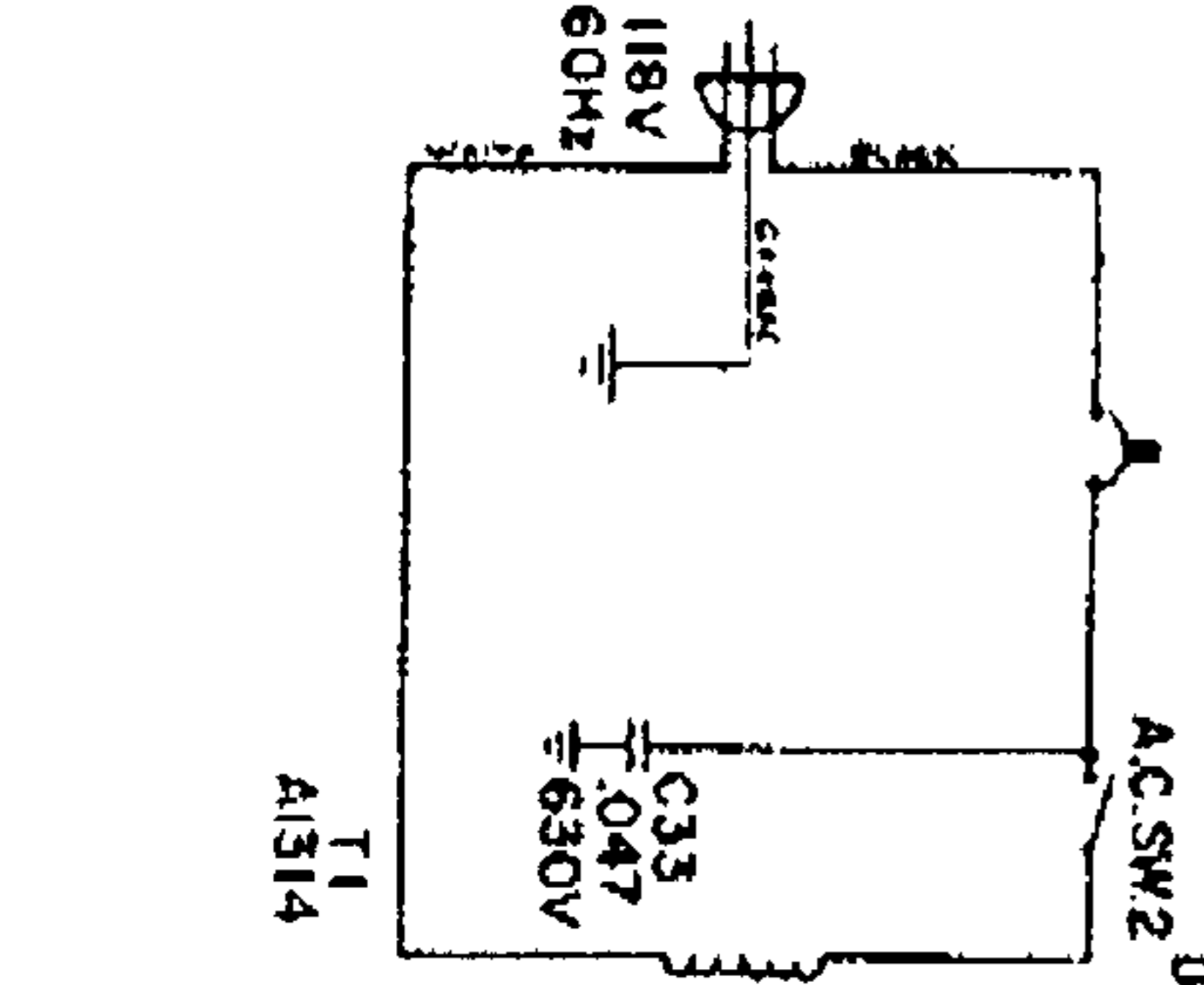
01.02.03.04.05. PH204 OR BY 126

REV	BY	DATE
0003	JTC	07/2/73

YORKVILLE SOUND LTD.  
**YGM-3 B 4**  
 Design: TRAYNOR, P. SIMONE  
 DWG BY: J. ETARSEY  
 APP BY: [Signature]  
 DATE: SEPT. 11/73



CIRCUIT BREAKER  
1.46A HOLD  
2.25A BREAK



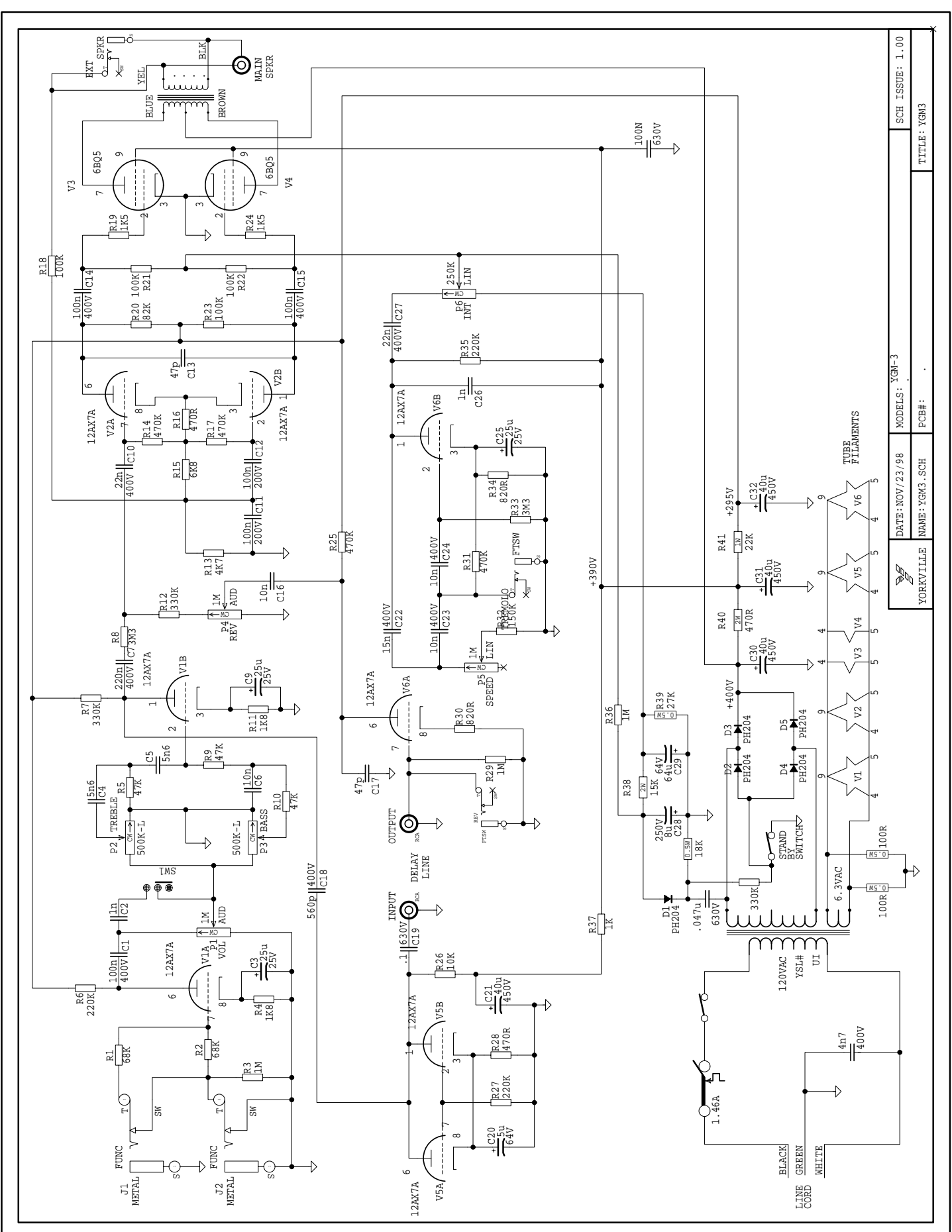
1. ALL CAPS IN  $\mu$  UNLESS OTHERWISE NOTED.  
2. ALL RESISTANCES IN OHMS. AT  $\frac{1}{2}$  W UNLESS OTHERWISE NOTED.  
3. ALL VOLTAGES MEASURED TO  $\pm 20\%$  WITH 15 MEG. INPUT VOLTMETER.  
\* TWO 2 SECTION CAPACITORS  
LAST RESISTOR R44  
LAST CAPACITOR C33

D1, D2, D3, D4, D5, PH204 OR BY 126

REV	BY	DATE
0003	JTB	07/2/73

YORKVILLE SOUND LTD.  
YGM-3 B 4  
Design: TRAYNOR, P. SIMONE  
DWG BY: J. ETARSEY  
APP BY: [Signature]  
DATE: SEPT. 11/73





YORKVILLE	DATE: NOV/23/98	MODELS: YGM-3	SCH ISSUE: 1.00
NAME: YGM3.SCH	PCB#:	TITLE: YGM3	

